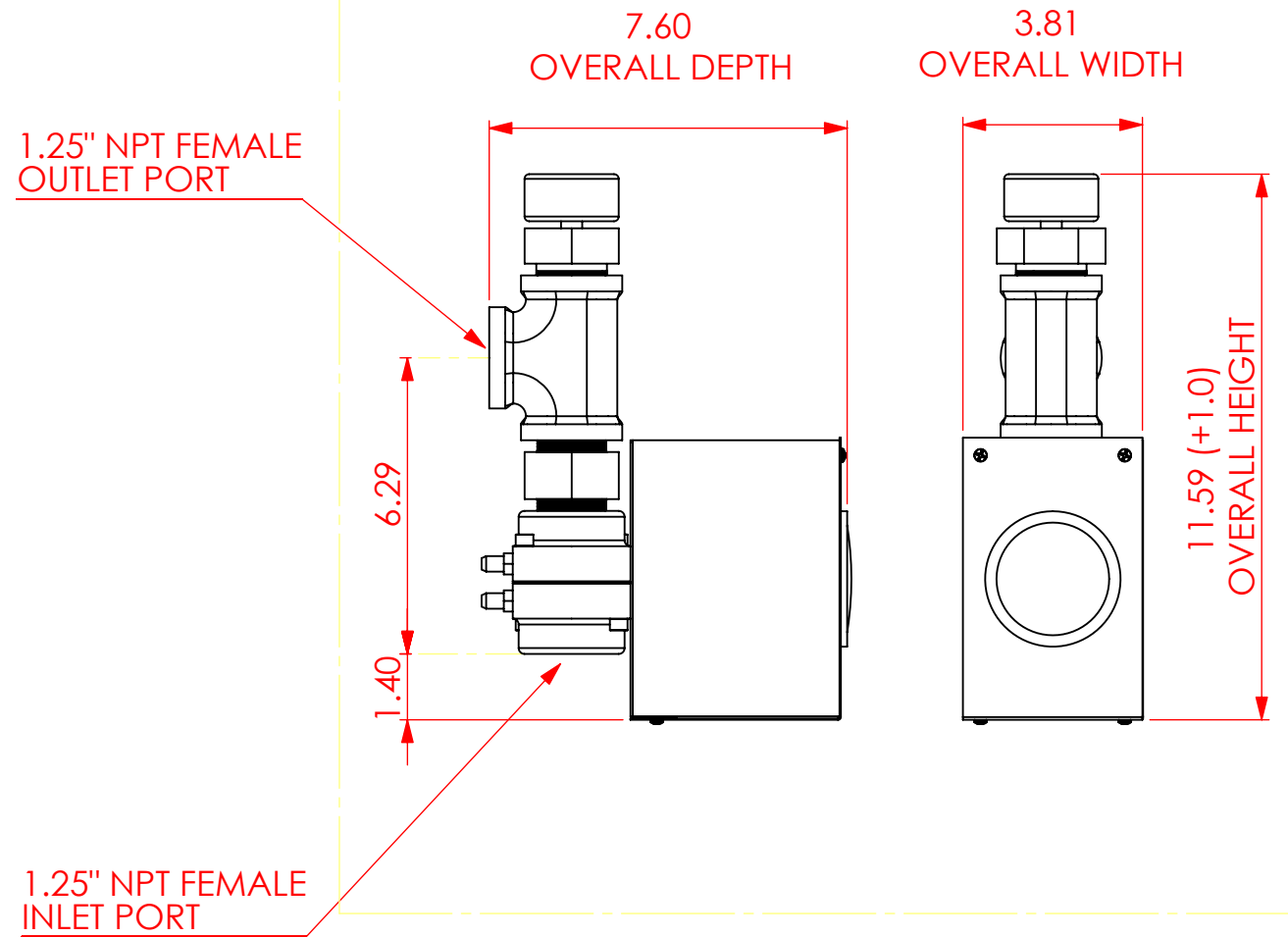
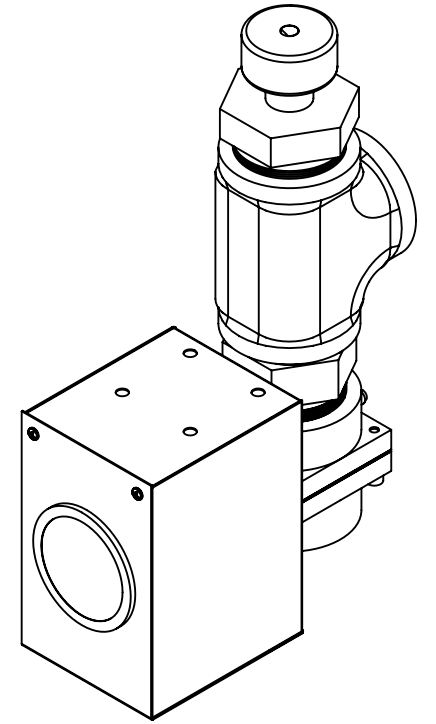
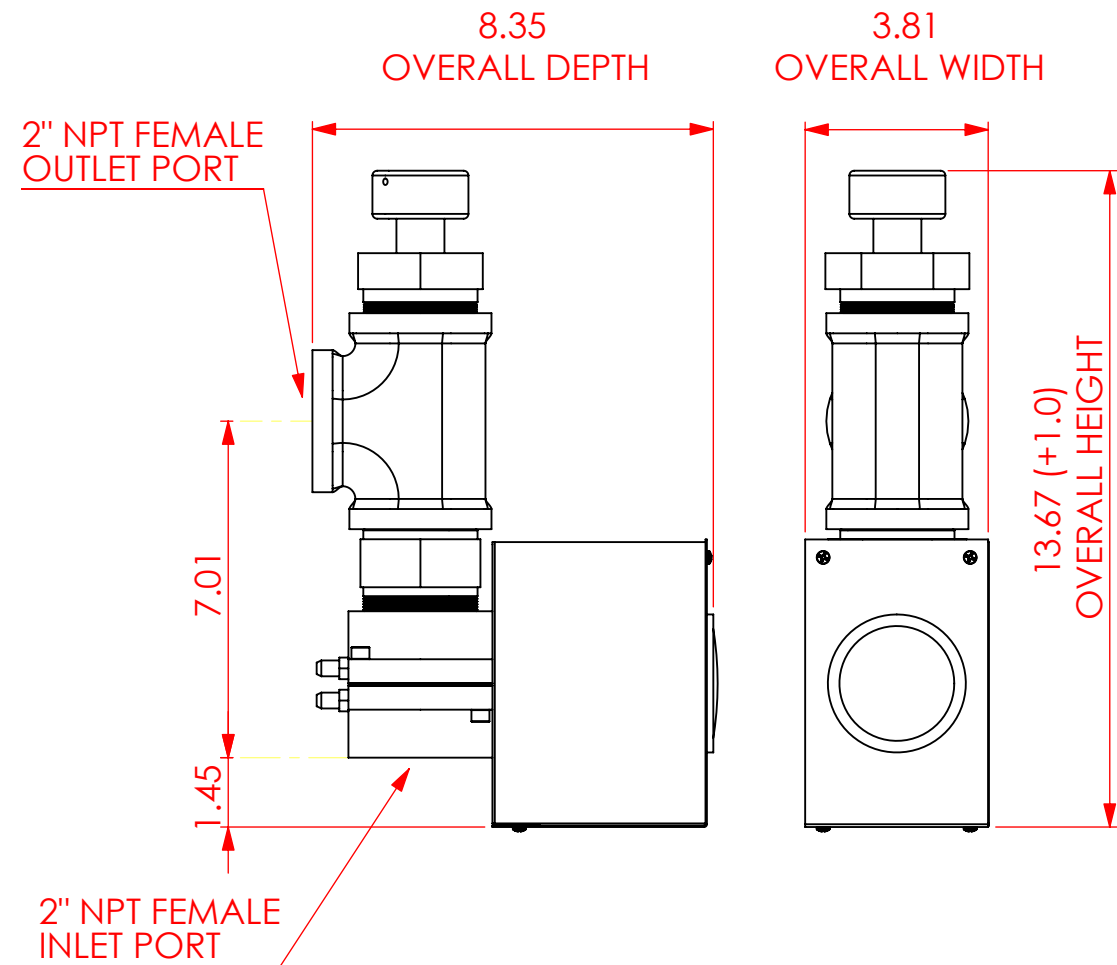


NOTE: DIMENSIONS APPROXIMATE AND SUBJECT TO CHANGE PER REVISED DRAWINGS

### 1-1/4" NPT PORTS



### 2" NPT PORTS



**PROPRIETARY AND CONFIDENTIAL**  
 THE INFORMATION CONTAINED IN THIS DRAWING IS THE SOLE PROPERTY OF ATMOSPHERE ENGINEERING. ANY REPRODUCTION IN PART OR AS A WHOLE WITHOUT THE WRITTEN PERMISSION OF ATMOSPHERE ENGINEERING IS PROHIBITED.

REV. ID	REVISION	DATE	INITIAL	REV #
DIMENSIONS ARE IN INCHES		NAME	DATE	
TOLERANCES:		DRAWN	DJR	3/12/10
.XX ±.01		CHECKED		
.XXX ±.005				
.XXXX ±.0005				
MATERIAL	COMMENTS:			
ASSEMBLY				
FINISH				
ASSEMBLY				
	SCALE:1:4			
SIZE	DWG. NO.			REV.
B	HS-GAS-FLOW-AMV-DIM			0

