

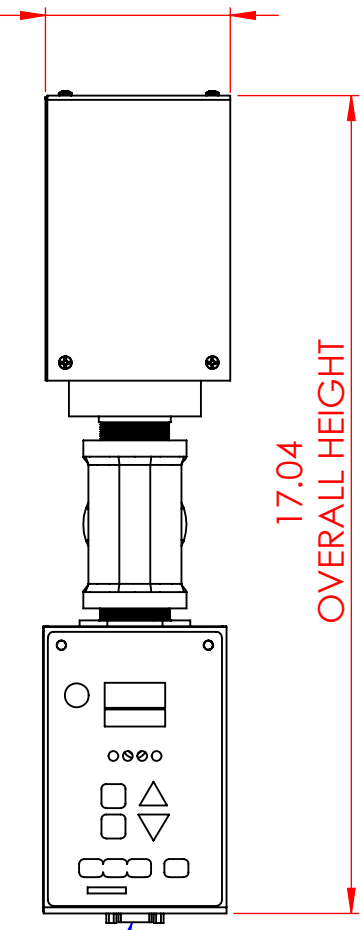
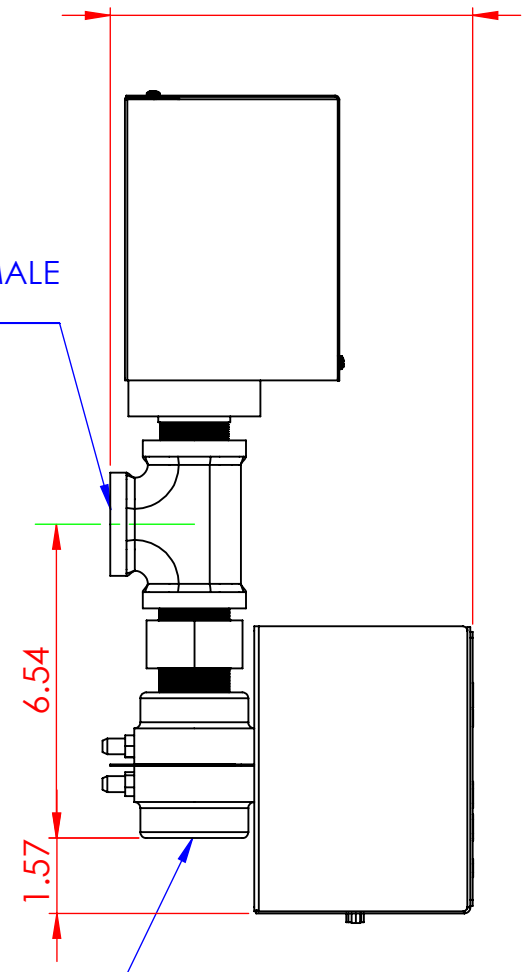
NOTE: DIMENSIONS APPROXIMATE AND SUBJECT TO CHANGE PER REVISED DRAWINGS

**1-1/4" NPT PORTS (A-2900)**

7.55  
OVERALL DEPTH

3.85  
OVERALL WIDTH

17.04  
OVERALL HEIGHT



1.25" NPT FEMALE  
OUTLET PORT

1.25" NPT FEMALE  
INLET PORT

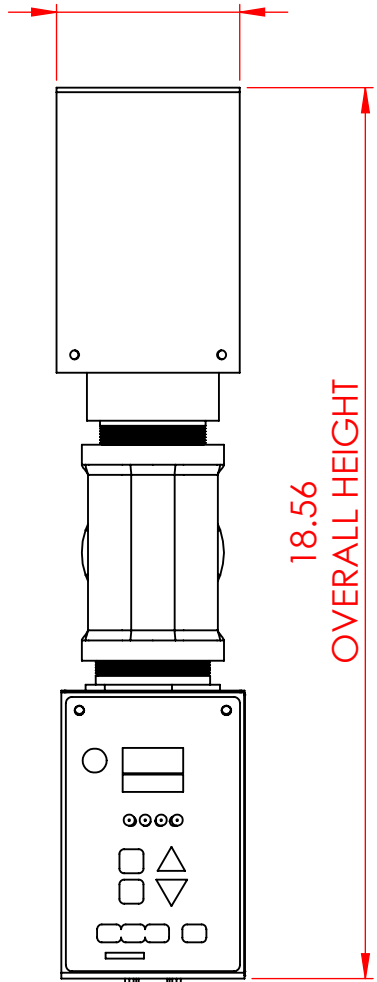
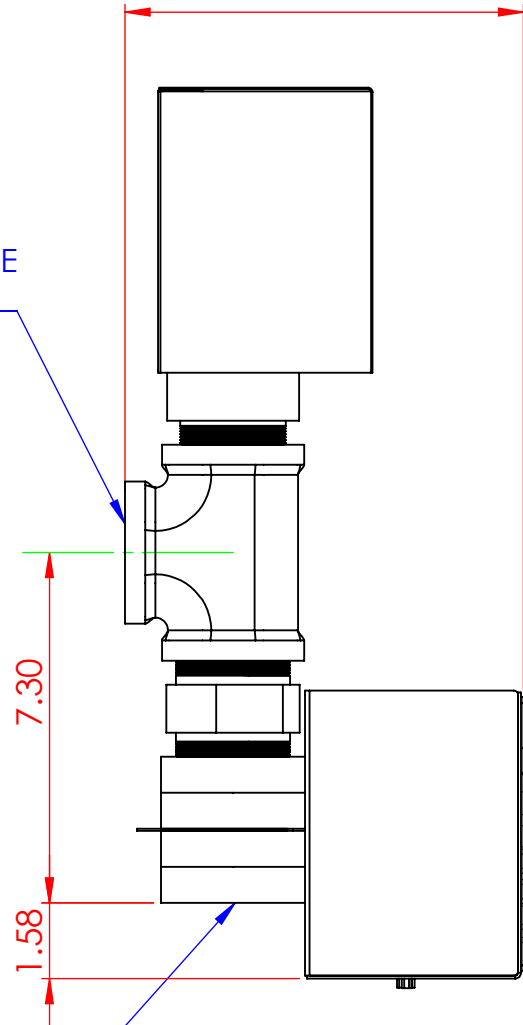
DB9 CONNECTOR LOCATION  
SEE PROVISIONAL NOTE

**2" NPT PORTS (A-2901)**

8.30  
OVERALL DEPTH

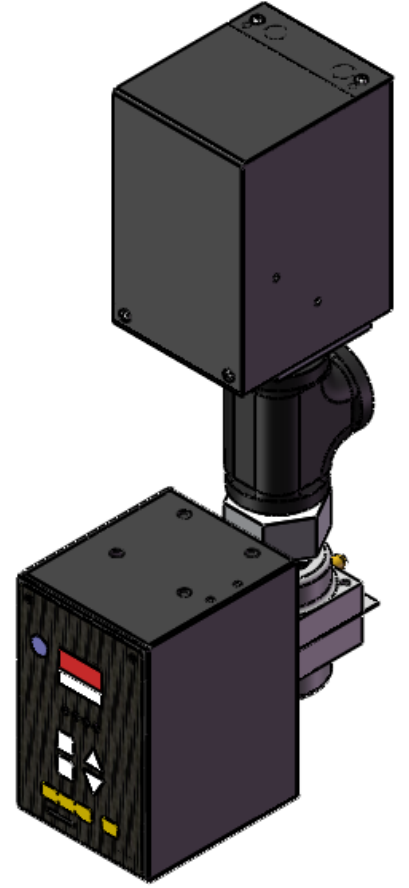
3.81  
OVERALL WIDTH

18.56  
OVERALL HEIGHT



2" NPT FEMALE  
OUTLET PORT

2" NPT FEMALE  
INLET PORT



PROVISIONAL NOTE:  
6 INCHES MUST BE PROVIDED BELOW METER TO  
REMOVE ENCLOSURE COVER AND MAKE ELECTRICAL  
CONNECTIONS.

ORIENTATION NOTE:  
THE TEE OUTLET CAN BE TURNED  
TO FACE LEFT, RIGHT OR BACK AS  
SPECIFIED BY THE CUSTOMER.

PROPRIETARY AND CONFIDENTIAL  
THE INFORMATION CONTAINED IN THIS  
DRAWING IS THE SOLE PROPERTY OF  
ATMOSPHERE ENGINEERING. ANY  
REPRODUCTION IN PART OR AS A WHOLE  
WITHOUT THE WRITTEN PERMISSION OF  
ATMOSPHERE ENGINEERING IS  
PROHIBITED.

REV. ID	REVISION	DATE	INITIAL	REV #
B	ADDED ORIENTATION NOTE	9/22/11	CSU	2
A	DIMENSION ADJUSTMENT DUE TO NEW FLANGE MOUNTING	8/26/11	CSU	1
DIMENSIONS ARE IN INCHES				
TOLERANCES:				
.XX ±.01		DRAWN CSU 8/26/11		
.XXX ±.005		CHECKED -- --		
.XXXX ±.0005		COMMENTS:		
MATERIAL		SCALE:1:4		
ASSEMBLY		SIZE DWG. NO. <b>B</b> A-2900 & A-2901		
FINISH		REV. 2		
ASSEMBLY				



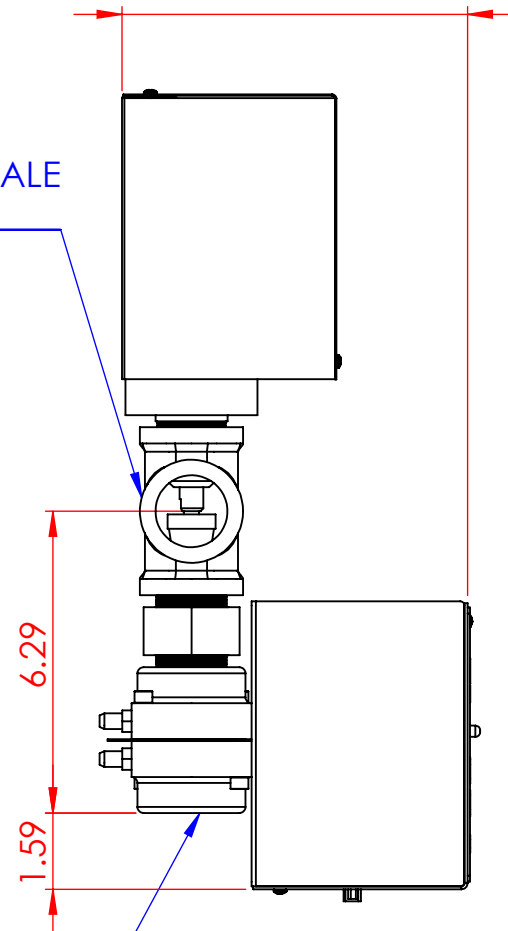
NOTE: DIMENSIONS APPROXIMATE AND SUBJECT TO CHANGE PER REVISED DRAWINGS

**1.25" NPT PORTS  
(A-2907)**

7.20  
OVERALL DEPTH

3.85  
OVERALL WIDTH

1.25" NPT FEMALE  
OUTLET PORT



1.25" NPT FEMALE  
INLET PORT

DB9 CONNECTOR LOCATION  
SEE PROVISIONAL NOTE

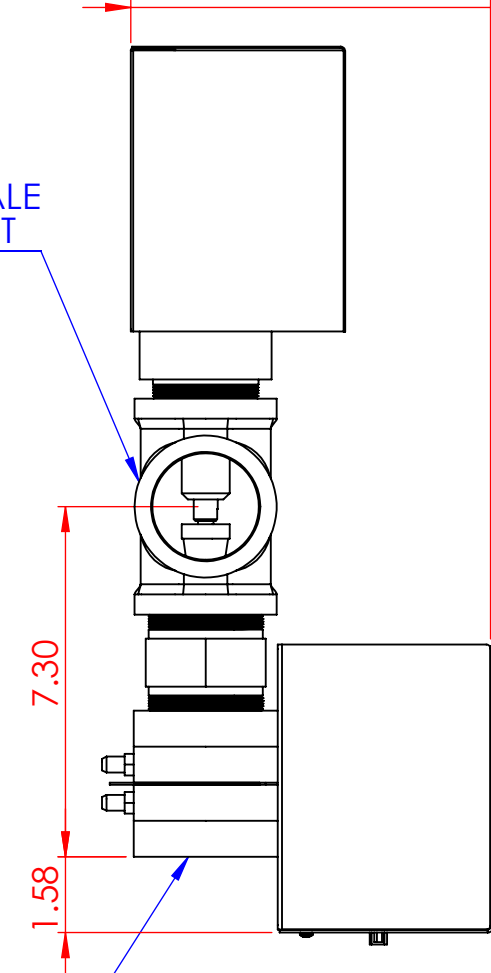
16.56  
OVERALL HEIGHT

**2" NPT PORTS  
(A-2908)**

7.50  
OVERALL DEPTH

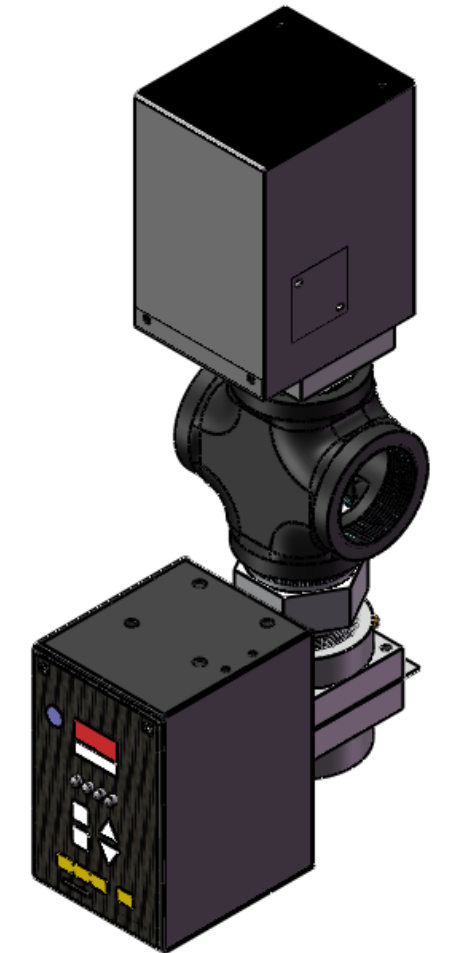
4.50  
OVERALL WIDTH

2" NPT FEMALE  
OUTLET PORT



2" NPT FEMALE  
INLET PORT

18.46  
OVERALL HEIGHT



**PROVISIONAL NOTE:**  
6 INCHES MUST BE PROVIDED BELOW METER TO  
REMOVE ENCLOSURE COVER AND MAKE ELECTRICAL  
CONNECTIONS.

**PROPRIETARY AND CONFIDENTIAL**  
THE INFORMATION CONTAINED IN THIS  
DRAWING IS THE SOLE PROPERTY OF  
ATMOSPHERE ENGINEERING. ANY  
REPRODUCTION IN PART OR AS A WHOLE  
WITHOUT THE WRITTEN PERMISSION OF  
ATMOSPHERE ENGINEERING IS  
PROHIBITED.

REV. ID	REVISION	DATE	INITIAL	REV. #
--	--	--/--/--	--	--
A	DIMENSION ADJUSTMENT DUE TO FLANGE MOUNTING	9/22/11	CSU	1
DIMENSIONS ARE IN INCHES		NAME	DATE	
TOLERANCES:		DRAWN	CSU	9/27/11
.XX ±.01		CHECKED	--	--
.XXX ±.005		COMMENTS:		
.XXXX ±.0005		SCALE:1:4		
MATERIAL	ASSEMBLY	SIZE	DWG. NO.	REV.
ASSEMBLY	ASSEMBLY	B	A-2907 & A-2908	2

