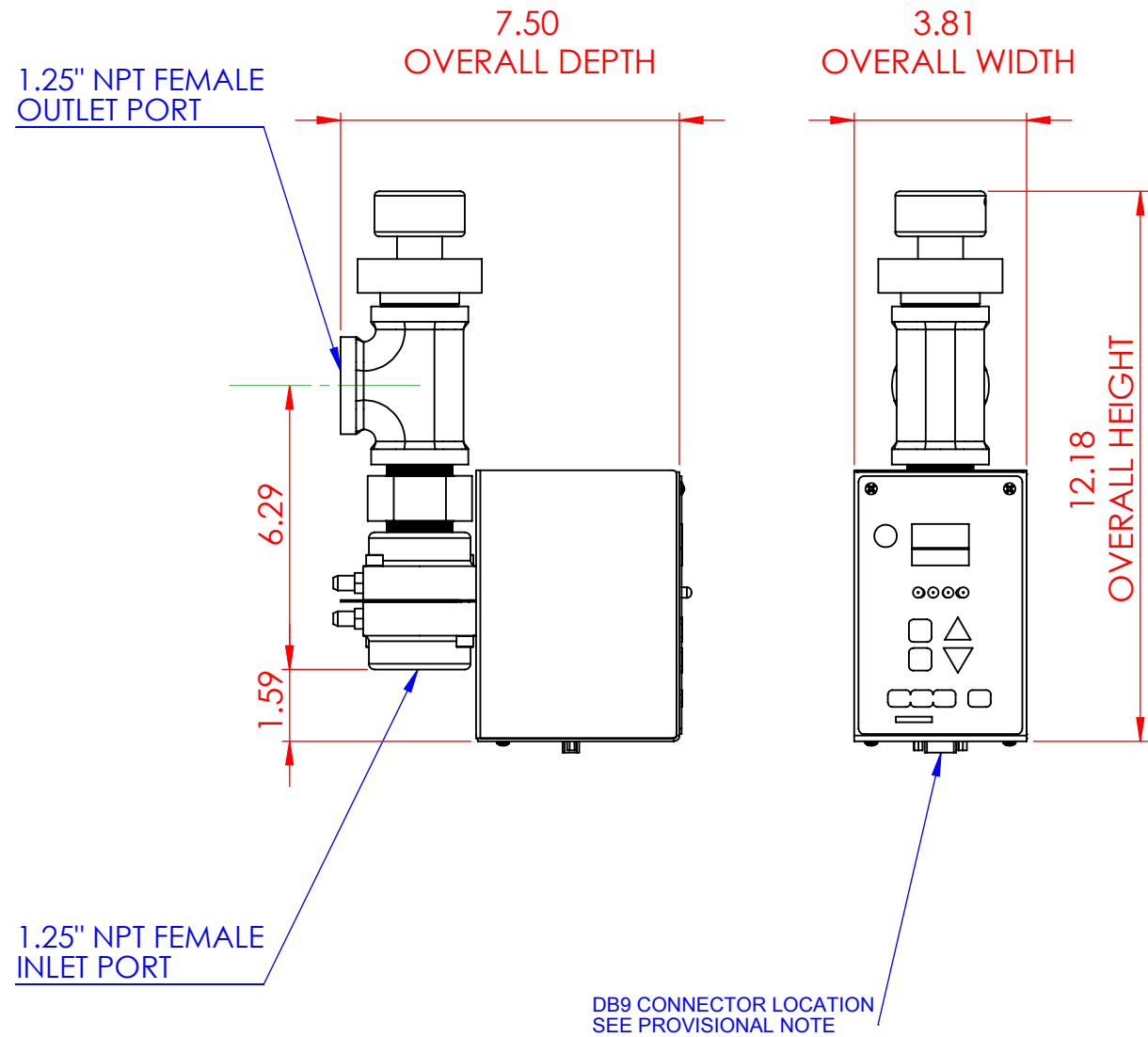
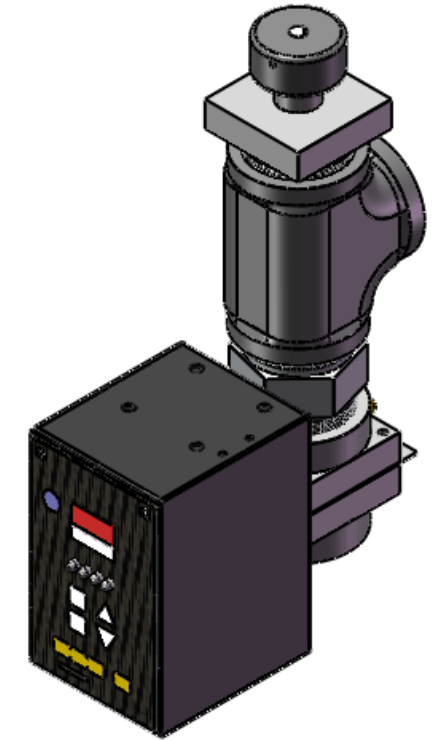
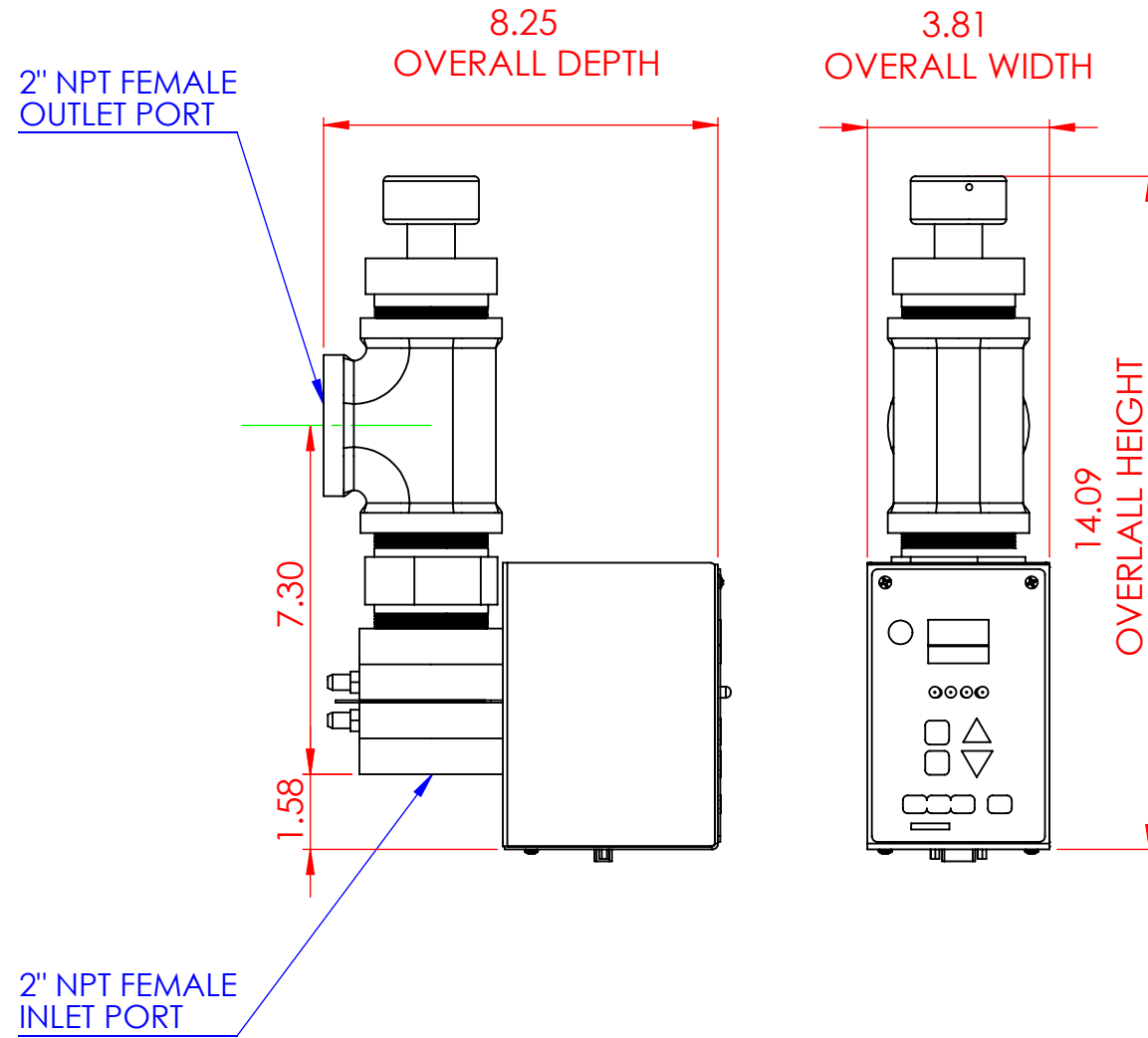


NOTE: DIMENSIONS APPROXIMATE AND SUBJECT TO CHANGE PER REVISED DRAWINGS

1-1/4" NPT PORTS
(A-2906)



2" NPT PORTS
(A-2903)



PROVISIONAL NOTE:
6 INCHES MUST BE PROVIDED BELOW METER TO REMOVE ENCLOSURE COVER AND MAKE ELECTRICAL CONNECTIONS.

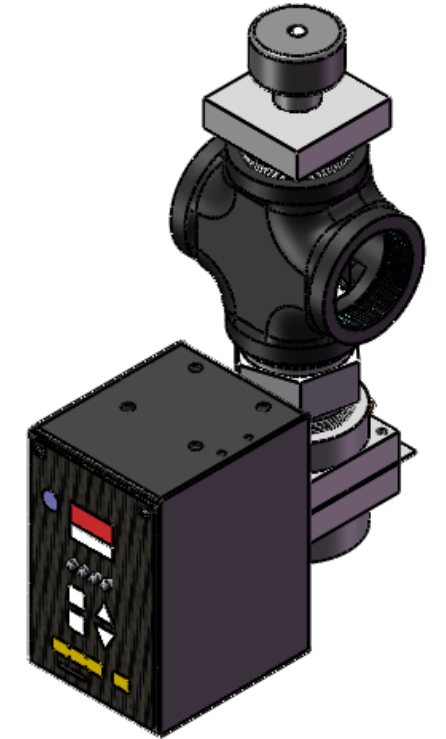
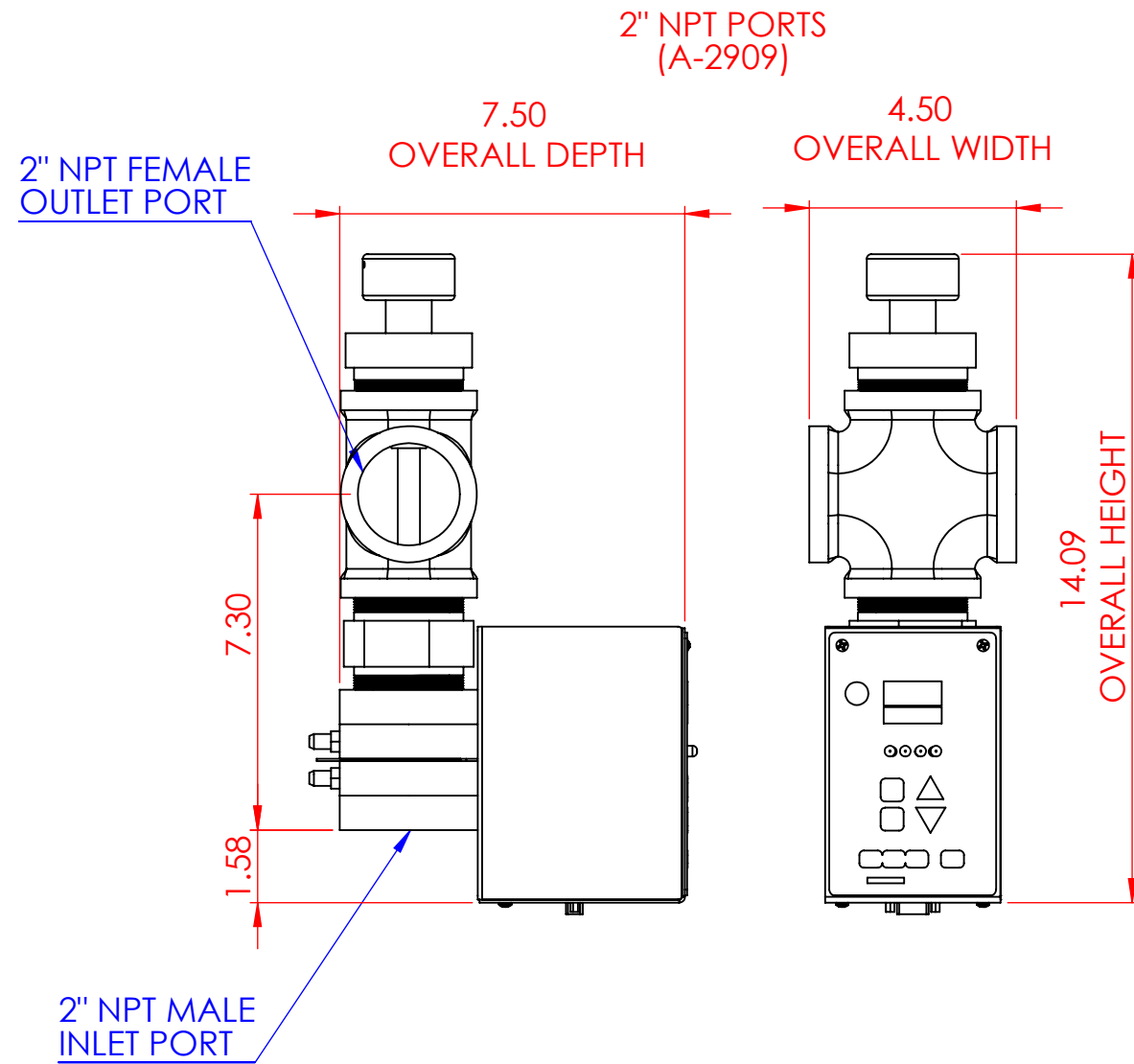
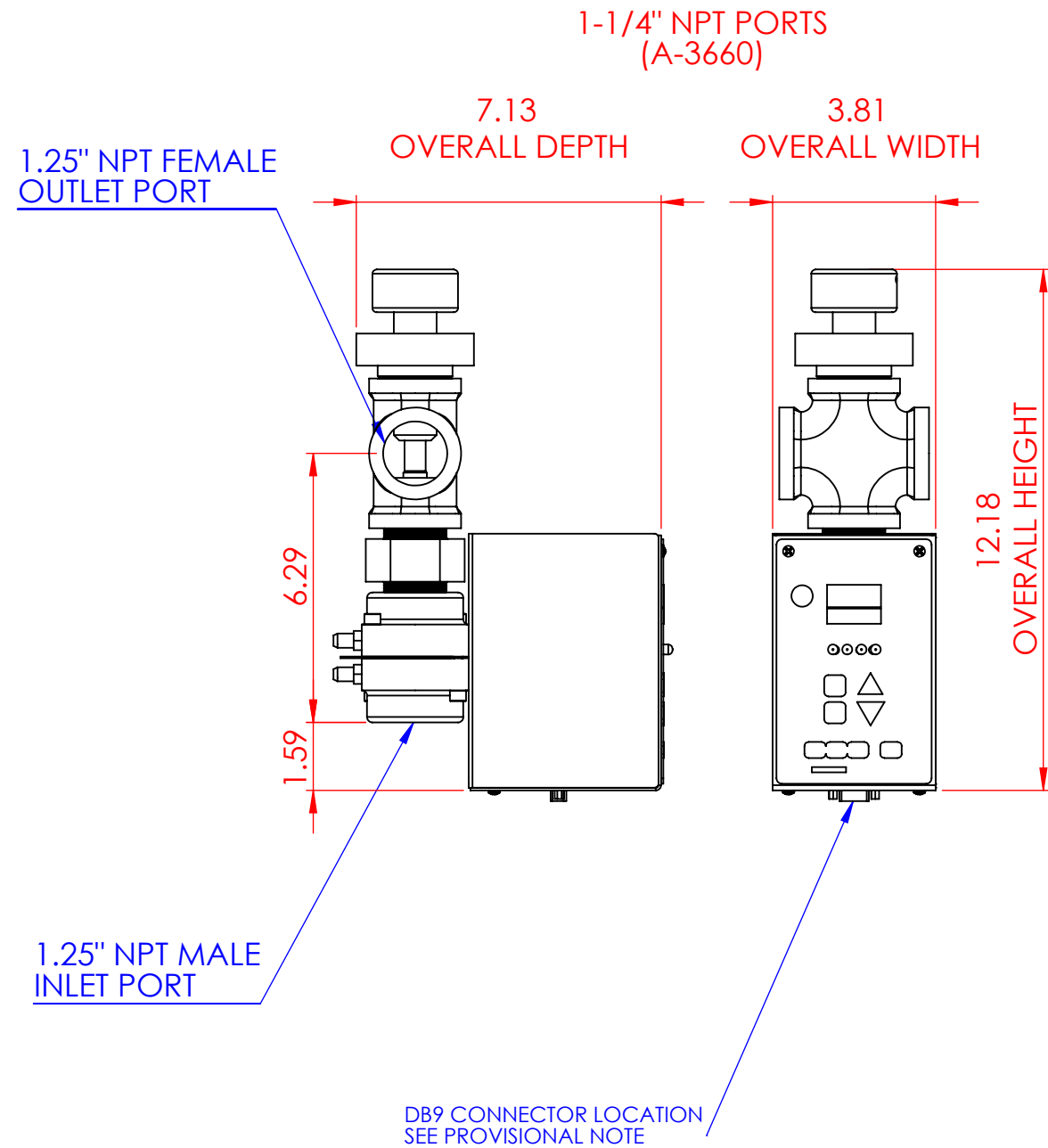
ORIENTATION NOTE:
THE TEE OUTLET CAN BE TURNED TO FACE LEFT, RIGHT OR BACK AS SPECIFIED BY THE CUSTOMER.

PROPRIETARY AND CONFIDENTIAL
THE INFORMATION CONTAINED IN THIS DRAWING IS THE SOLE PROPERTY OF ATMOSPHERE ENGINEERING. ANY REPRODUCTION IN PART OR AS A WHOLE WITHOUT THE WRITTEN PERMISSION OF ATMOSPHERE ENGINEERING IS PROHIBITED.

REV. ID	REVISION	DATE	INITIAL	REV #
--	--	--/--/--	--	--
A	UPDATED DIMENSIONS/ADDED ASSEMBLY NAMES	9/22/11	CSU	1
DIMENSIONS ARE IN INCHES				
TOLERANCES:				
.XX	±.01	DRAWN	CSU	8/29/11
.XXX	±.005	CHECKED	--	--
.XXXX	±.0005	COMMENTS:		
MATERIAL	ASSEMBLY			
FINISH	ASSEMBLY			
SCALE:1:4				
SIZE	DWG. NO.	REV.		
B	A-2906 & A-2903	1		



NOTE: DIMENSIONS APPROXIMATE AND SUBJECT TO CHANGE PER REVISED DRAWINGS



PROVISIONAL NOTE:
6 INCHES MUST BE PROVIDED BELOW METER TO REMOVE ENCLOSURE COVER AND MAKE ELECTRICAL CONNECTIONS.

PROPRIETARY AND CONFIDENTIAL
THE INFORMATION CONTAINED IN THIS DRAWING IS THE SOLE PROPERTY OF ATMOSPHERE ENGINEERING. ANY REPRODUCTION IN PART OR AS A WHOLE WITHOUT THE WRITTEN PERMISSION OF ATMOSPHERE ENGINEERING IS PROHIBITED.

REV. ID	REVISION	DATE	INITIAL	REV #
--	--	--/--/--	--	--
--	--	--/--/--	--	--
--	--	--/--/--	--	--
DIMENSIONS ARE IN INCHES		NAME	DATE	
TOLERANCES:		DRAWN	CSU	9/22/11
.XX ±.01		CHECKED	--	--
.XXX ±.005		COMMENTS:		
.XXXX ±.0005				
MATERIAL	ASSEMBLY			
FINISH	ASSEMBLY			
SCALE:1:4		SIZE	DWG. NO.	REV.
		B	A-3660 & A-2909	1

