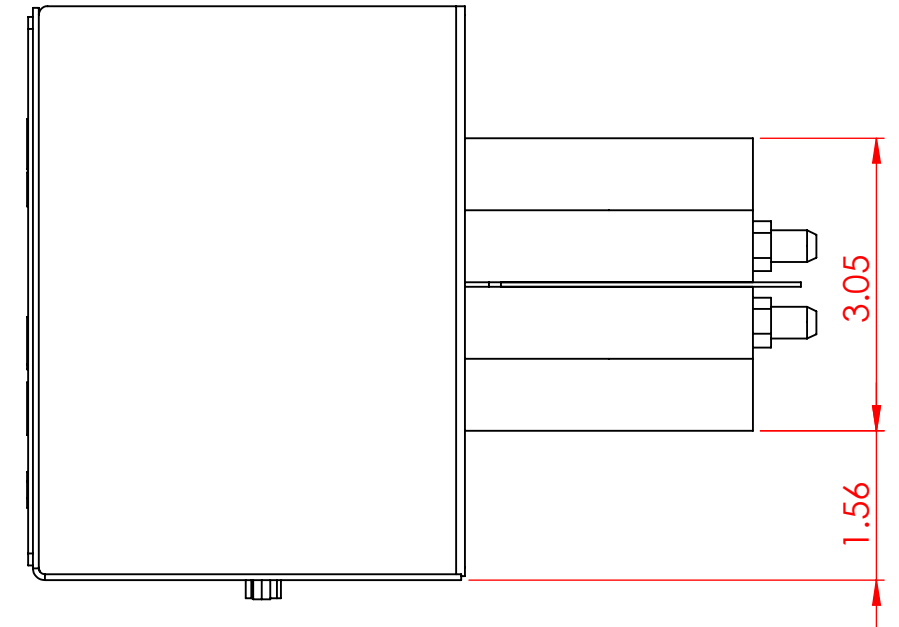
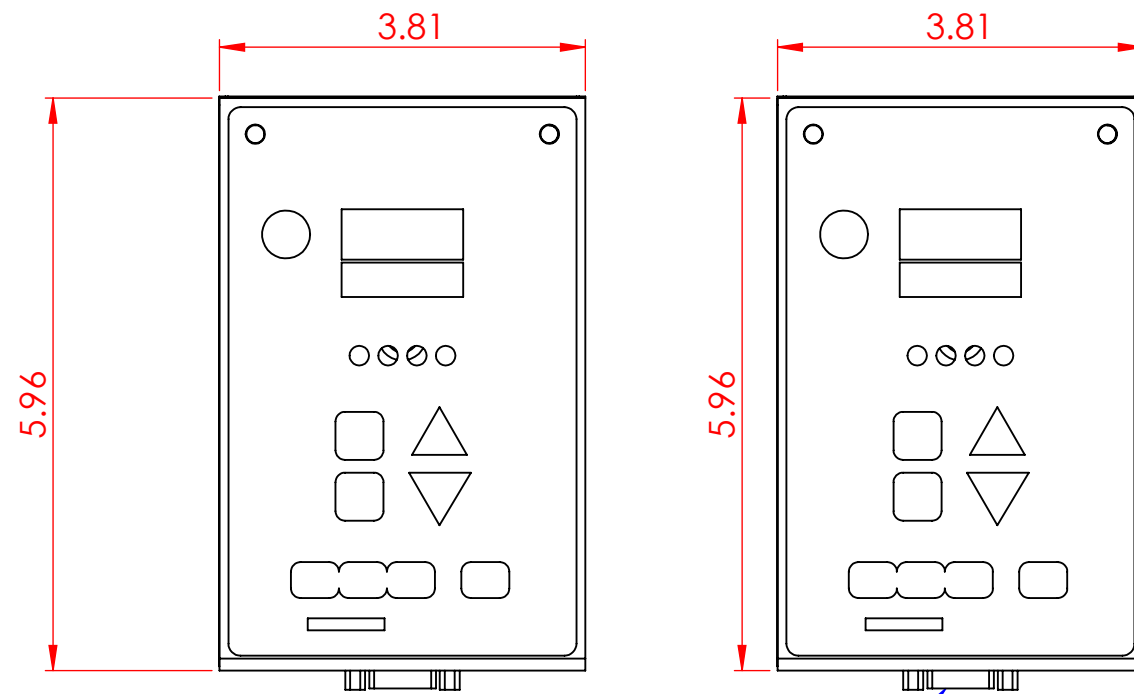
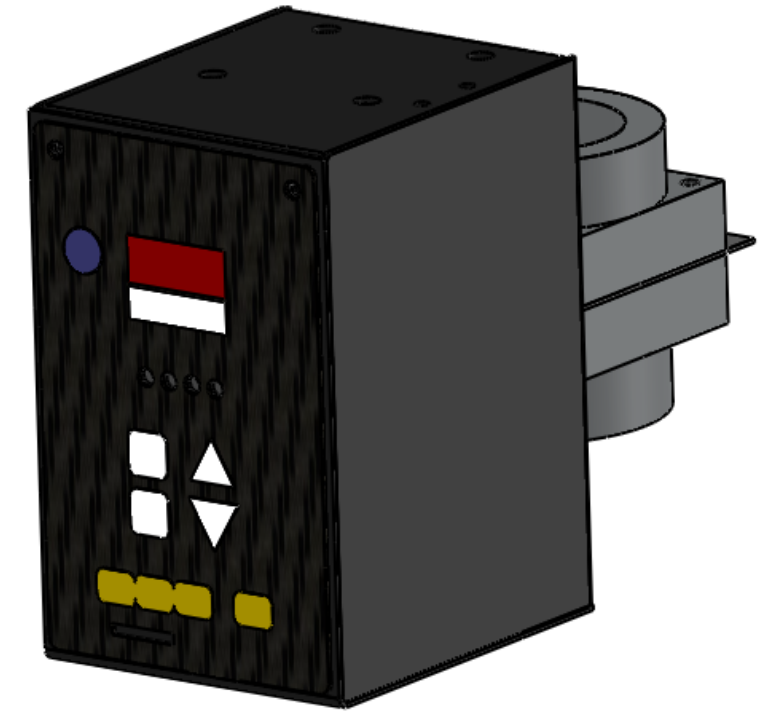
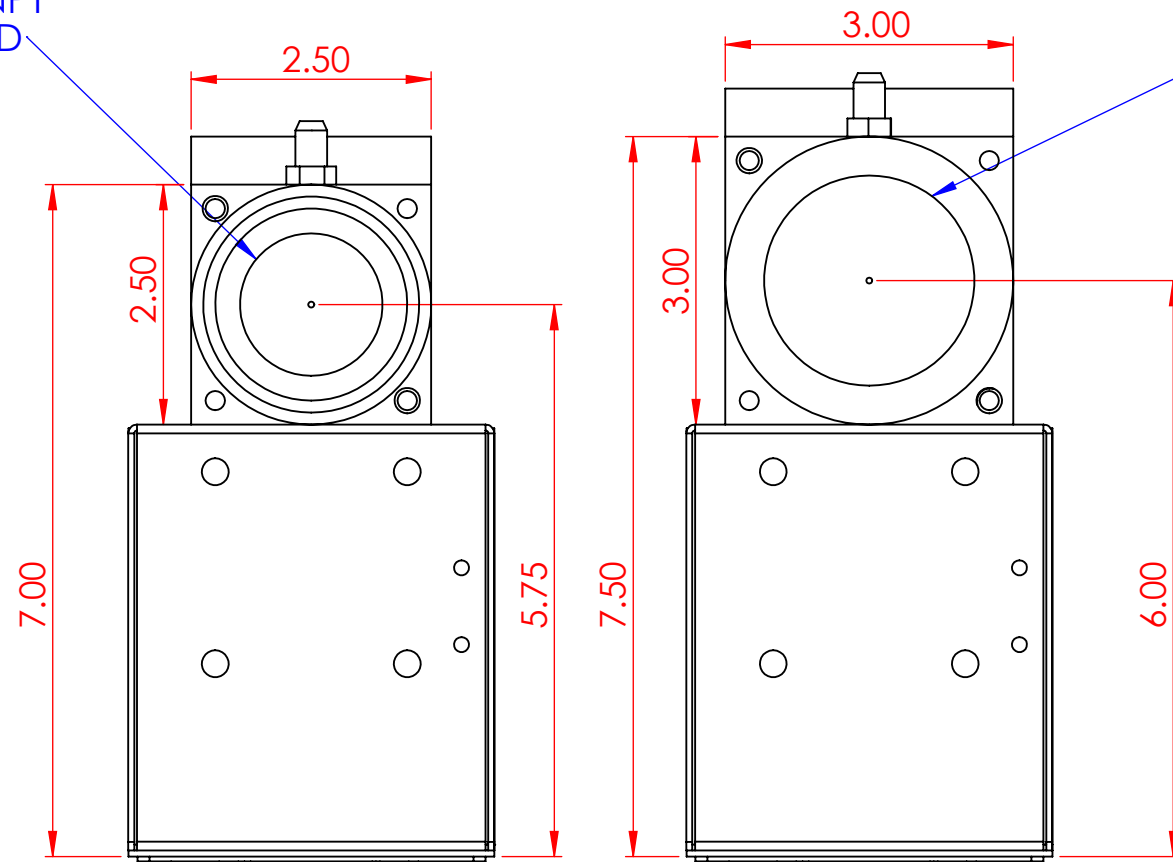


Ø 1.25" NPT
THREADED

Ø 2" NPT
THREADED

PURCHASING NOTE:
TOTALIZING METERS
ALSO AVAILABLE WITH
3" NPT AND .75" NPT
CONNECTIONS



PROVISIONAL NOTE:
6 INCHES MUST BE PROVIDED BELOW METER TO
REMOVE ENCLOSURE COVER AND MAKE ELECTRICAL
CONNECTIONS.

DB9 CONNECTOR LOCATION
SEE PROVISIONAL NOTE

PROPRIETARY AND CONFIDENTIAL
THE INFORMATION CONTAINED IN THIS
DRAWING IS THE SOLE PROPERTY OF
ATMOSPHERE ENGINEERING. ANY
REPRODUCTION IN PART OR AS A WHOLE
WITHOUT THE WRITTEN PERMISSION OF
ATMOSPHERE ENGINEERING IS
PROHIBITED.

REV. ID	REVISION	DATE	INITIAL	REV #
--	--	--/--/--	--	--
A	DIMENSION ADJUSTMENT DUE TO NEW FLANGE MOUNTING	8/25/11	CSU	1
DIMENSIONS ARE IN INCHES		NAME	DATE	
TOLERANCES:		DRAWN	CSU	8/25/11
.XX ±.01		CHECKED	--	--
.XXX ±.005		COMMENTS:		
.XXXX ±.0005		SCALE:1:2		
MATERIAL	ASSEMBLY	SIZE	DWG. NO.	REV.
FINISH	ASSEMBLY	B	FM-GAS-FLOW-UST-DIM	1

