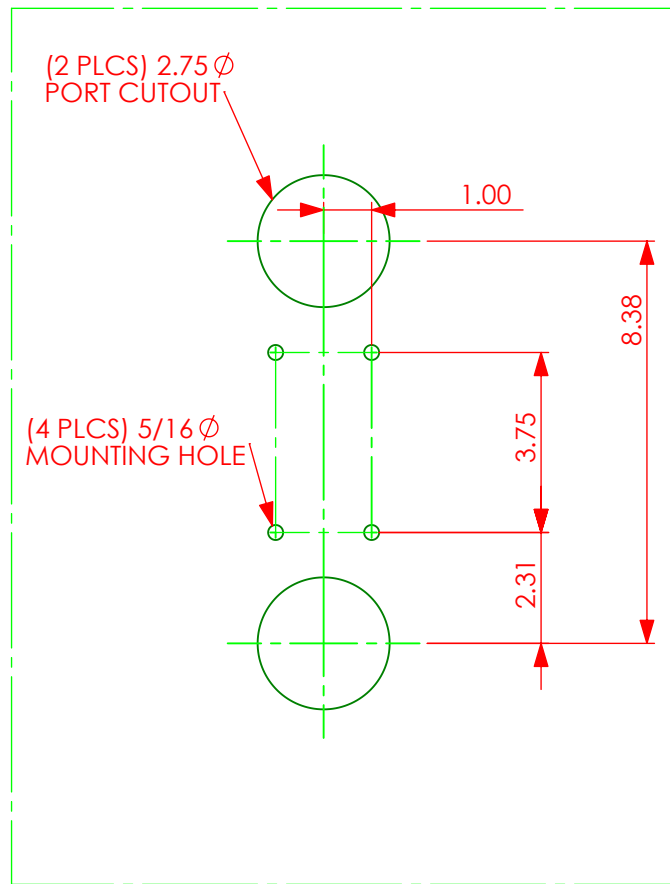
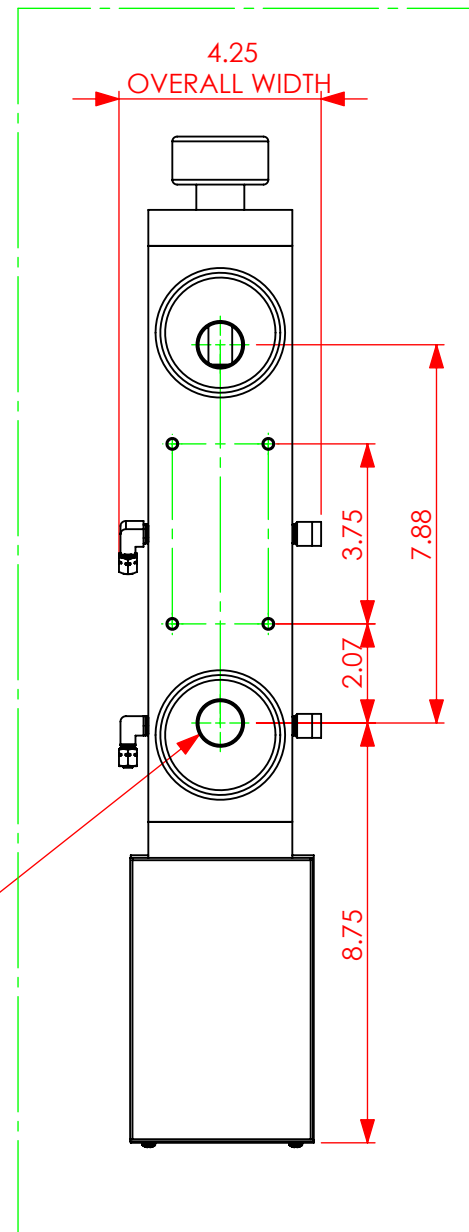


PANEL CUTOUT PROVISIONS

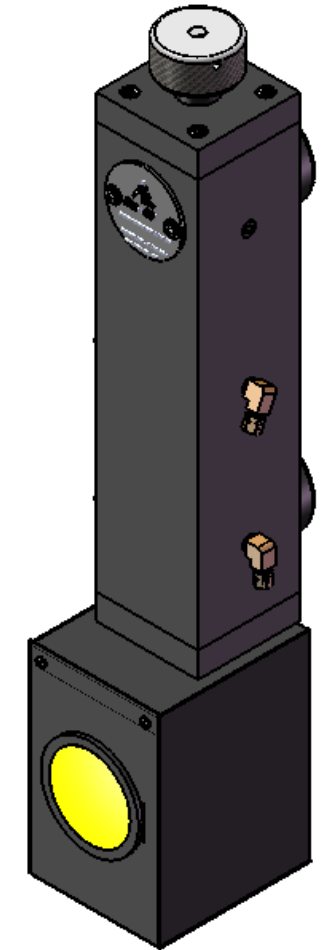
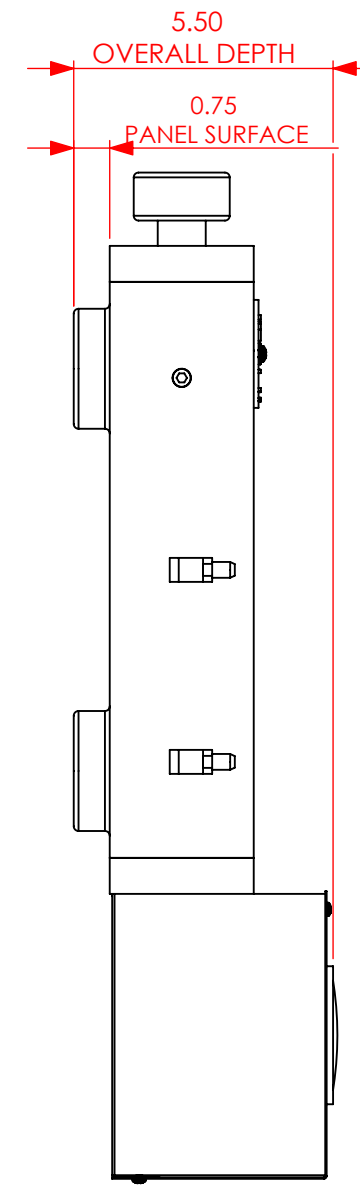
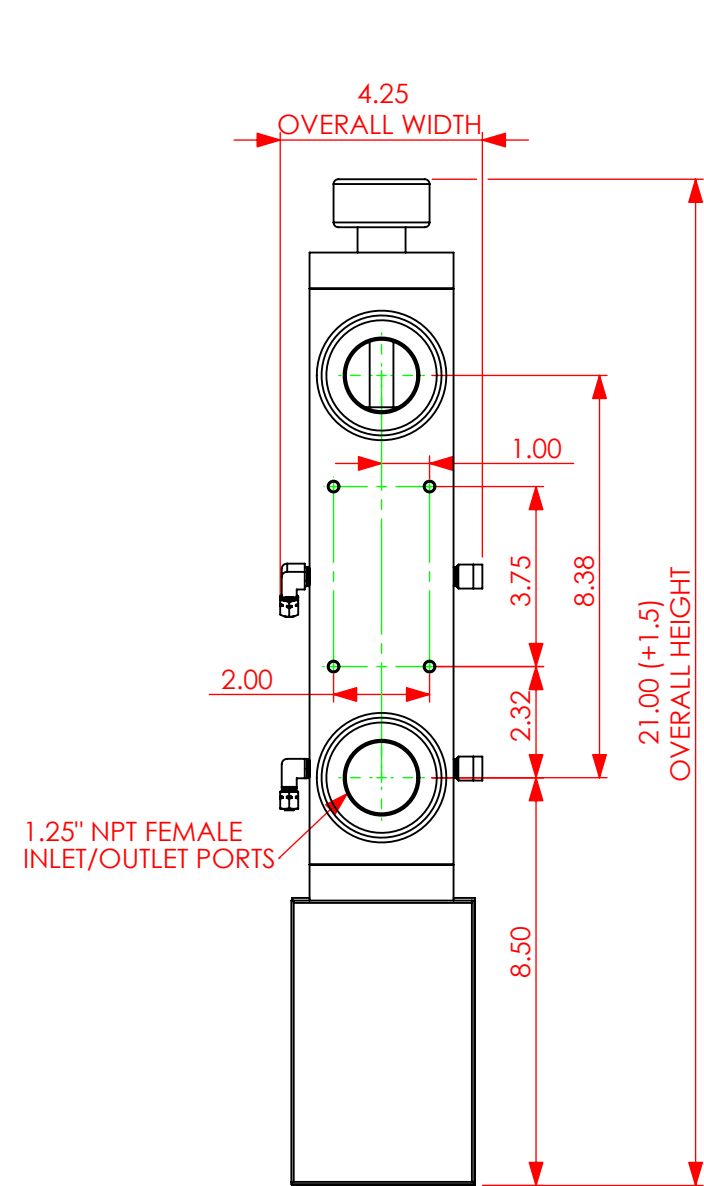


3/4" NPT FEMALE INLET/OUTLET PORTS

3/4" NPT PORTS



1-1/4" NPT PORTS



PROPRIETARY AND CONFIDENTIAL
 THE INFORMATION CONTAINED IN THIS DRAWING IS THE SOLE PROPERTY OF ATMOSPHERE ENGINEERING. ANY REPRODUCTION IN PART OR AS A WHOLE WITHOUT THE WRITTEN PERMISSION OF ATMOSPHERE ENGINEERING IS PROHIBITED.

REV. ID	REVISION	DATE	INITIAL	REV #
DIMENSIONS ARE IN INCHES				
TOLERANCES:		NAME	DATE	
.XX	±.01	DJR	2/19/10	
.XXX	±.005	CHECKED		
.XXXX	±.0005			
MATERIAL	COMMENTS:			
ASSEMBLY				
FINISH				
ASSEMBLY				
SCALE: 1:4				
SIZE	DWG. NO.	REV.		
B	FM-GAS-FLOW-AMV-DIM	0		

