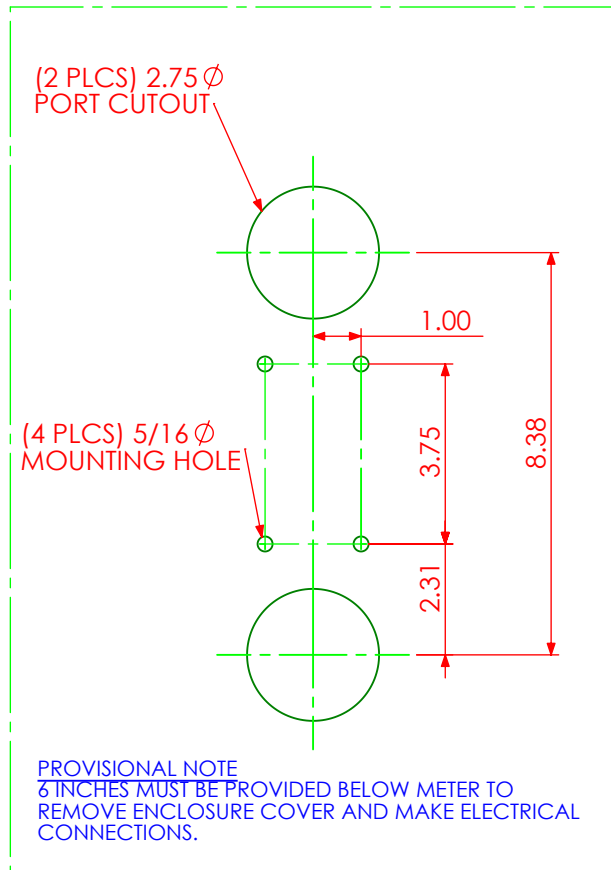
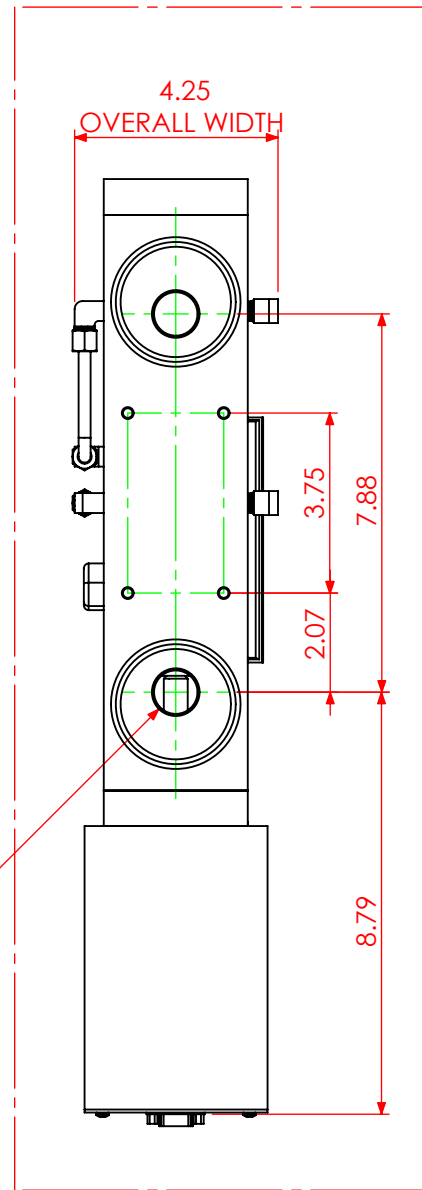


PANEL CUTOUT PROVISIONS

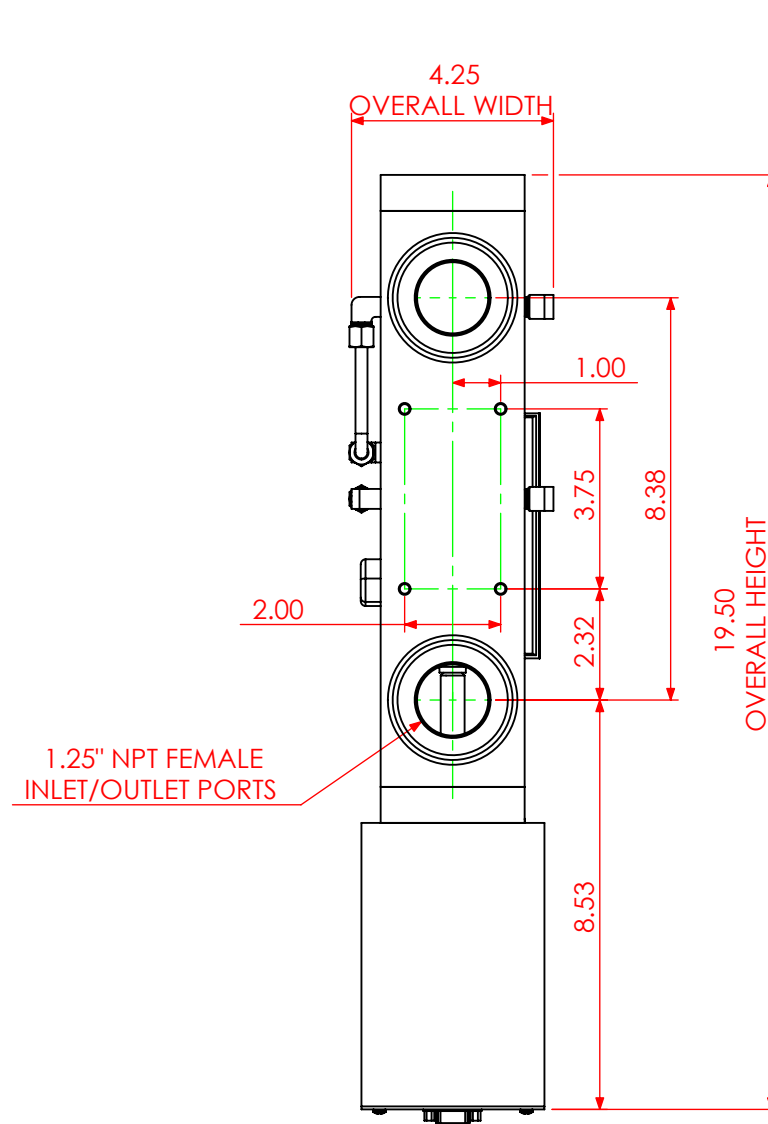


3/4" NPT FEMALE INLET/OUTLET PORTS

3/4" NPT PORTS



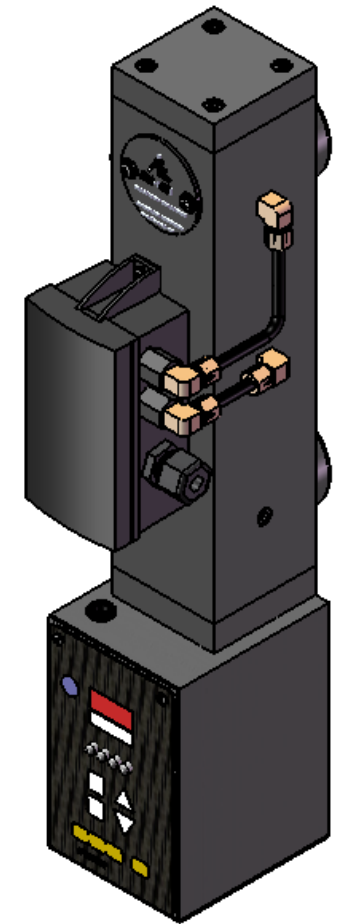
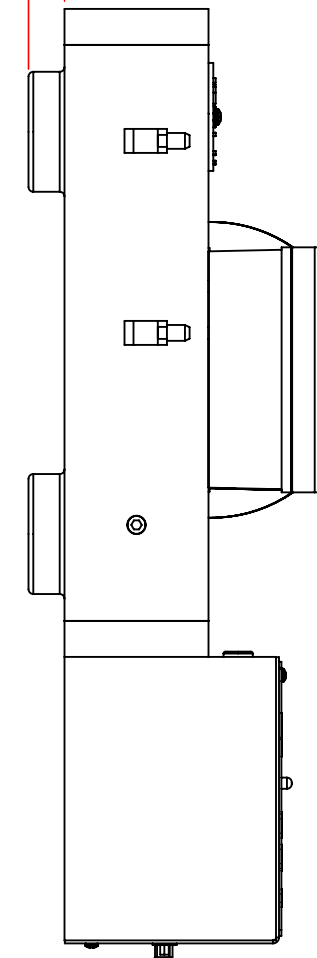
1-1/4" NPT PORTS



DB9 CONNECTOR LOCATION SEE PROVISIONAL NOTE

6.50 OVERALL DEPTH

0.75 PANEL SURFACE



PROPRIETARY AND CONFIDENTIAL
THE INFORMATION CONTAINED IN THIS DRAWING IS THE SOLE PROPERTY OF ATMOSPHERE ENGINEERING. ANY REPRODUCTION IN PART OR AS A WHOLE WITHOUT THE WRITTEN PERMISSION OF ATMOSPHERE ENGINEERING IS PROHIBITED.

REV. ID	NAME	DATE	DATE	INITIAL	REV #
---	---	---	---	---	---
---	---	---	---	---	---
---	---	---	---	---	---
DIMENSIONS ARE IN INCHES					
TOLERANCES:					
.XX ±.01		DRAWN DJR 2/19/10			
.XXX ±.005		CHECKED -- --			
.XXXX ±.0005					
MATERIAL		COMMENTS:			
ASSEMBLY					
FINISH					
ASSEMBLY		SCALE:1:4			
SIZE	DWG. NO.	REV.			
B	FM-GAS-FLOW-U-DIM	0			

