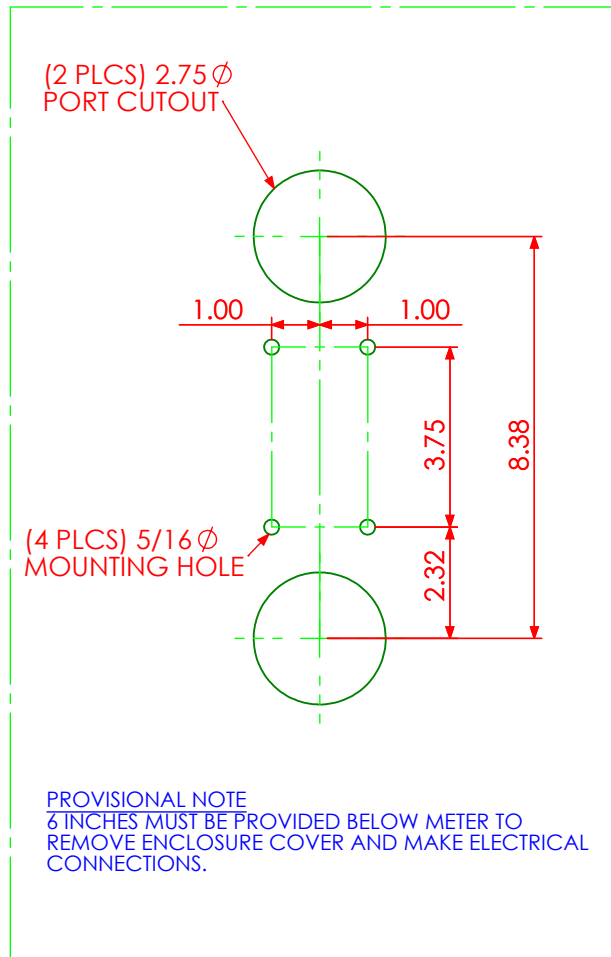


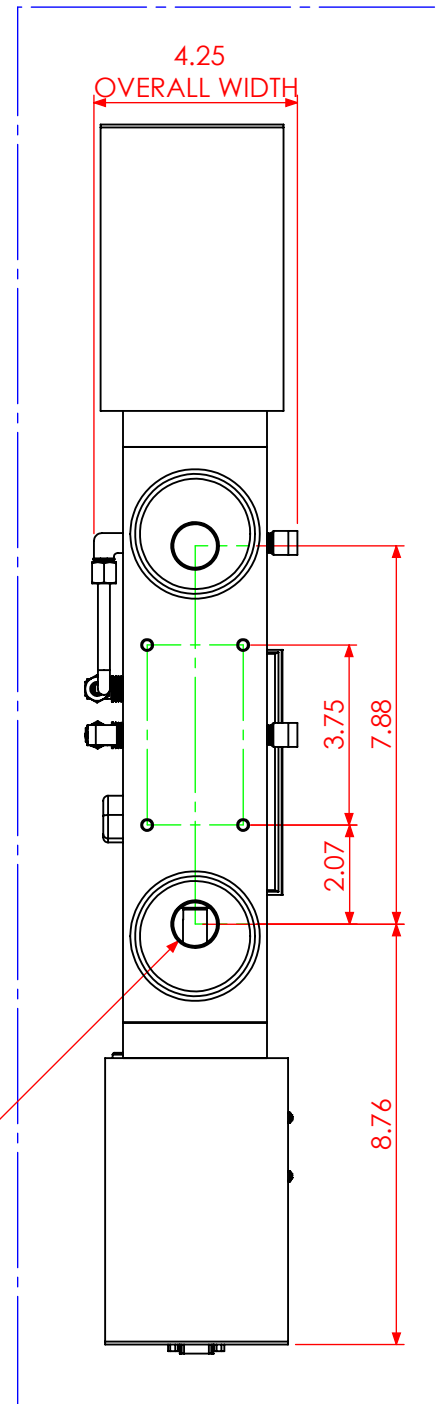
PANEL CUTOUT PROVISIONS



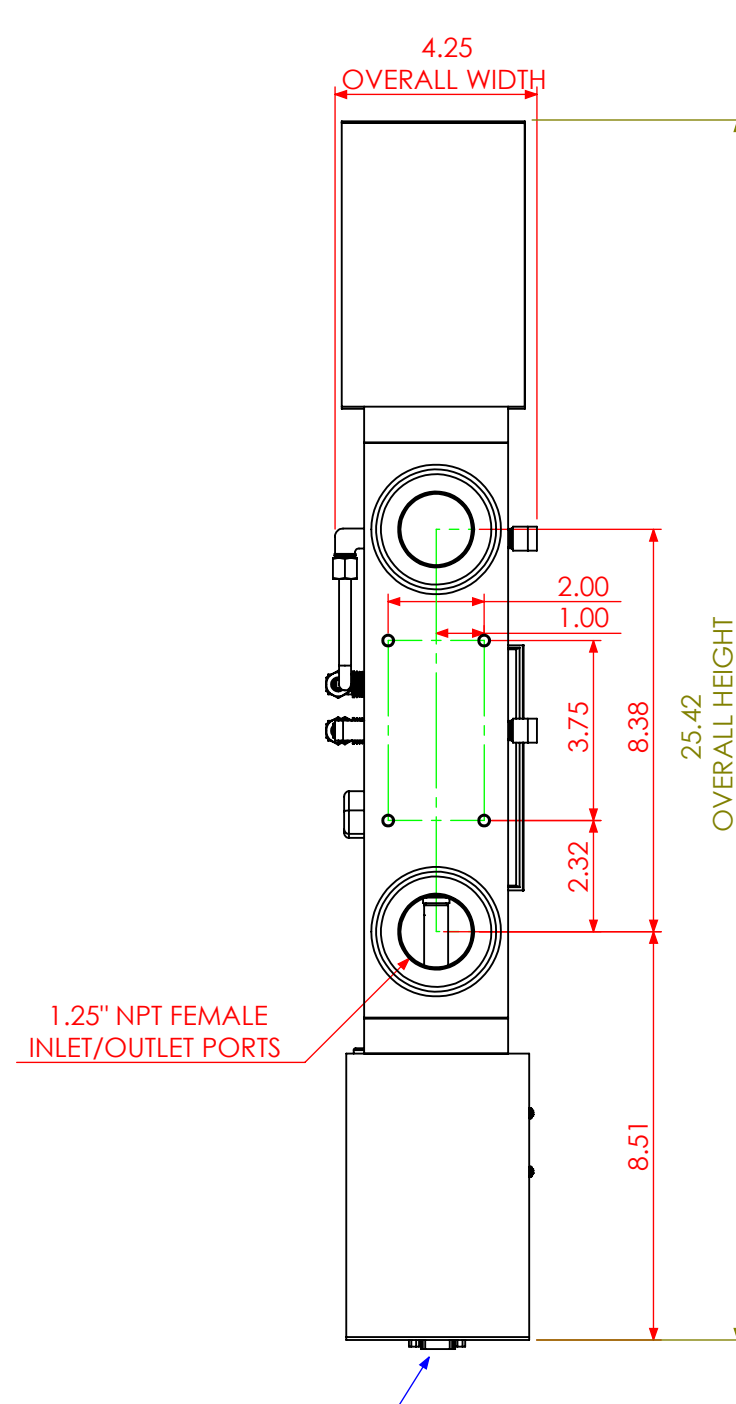
PROVISIONAL NOTE  
6 INCHES MUST BE PROVIDED BELOW METER TO REMOVE ENCLOSURE COVER AND MAKE ELECTRICAL CONNECTIONS.

3/4" NPT FEMALE INLET/OUTLET PORTS

3/4" NPT PORTS

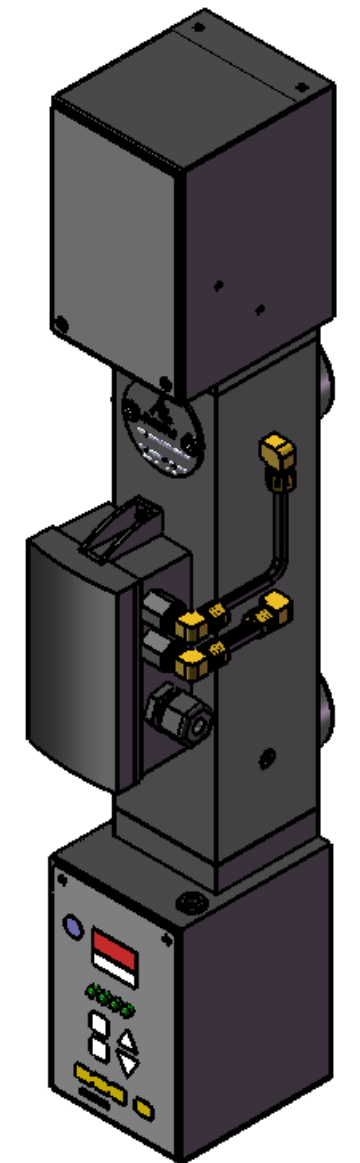
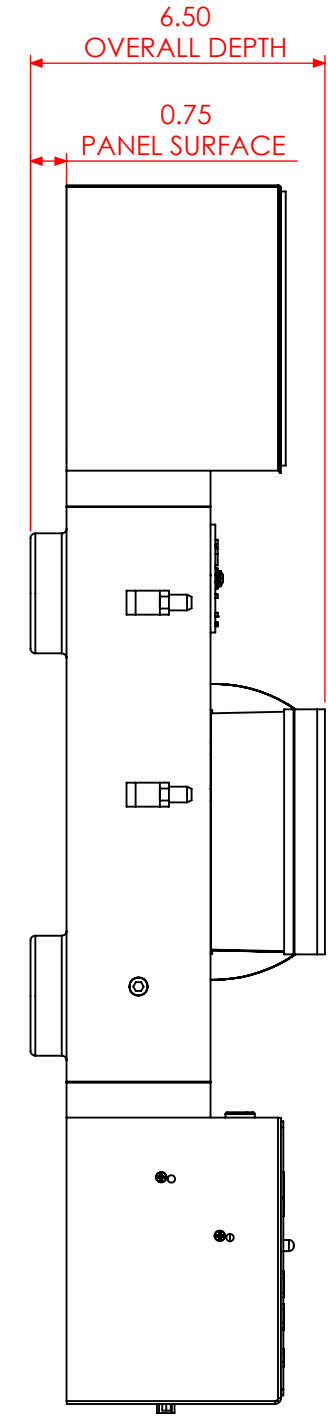


1-1/4" NPT PORTS



1.25" NPT FEMALE INLET/OUTLET PORTS

DB9 CONNECTOR LOCATION SEE PROVISIONAL NOTE



PROPRIETARY AND CONFIDENTIAL  
THE INFORMATION CONTAINED IN THIS DRAWING IS THE SOLE PROPERTY OF ATMOSPHERE ENGINEERING. ANY REPRODUCTION IN PART OR AS A WHOLE WITHOUT THE WRITTEN PERMISSION OF ATMOSPHERE ENGINEERING IS PROHIBITED.

REV. ID	REVISION	DATE	INITIAL	REV #
--	--	--/--/--	--	--
--	--	--/--/--	--	--
--	--	--/--/--	--	--
DIMENSIONS ARE IN INCHES		NAME	DATE	
TOLERANCES:		DRAWN	DJR	12/11/10
.XX ±.01		CHECKED	--	--
.XXX ±.005		COMMENTS:		
.XXXX ±.0005		SCALE:1:4		
MATERIAL		SIZE DWG. NO.		
ASSEMBLY		B FM-GAS-FLOW-UEV-DIM		
FINISH		REV. 0		
ASSEMBLY				

