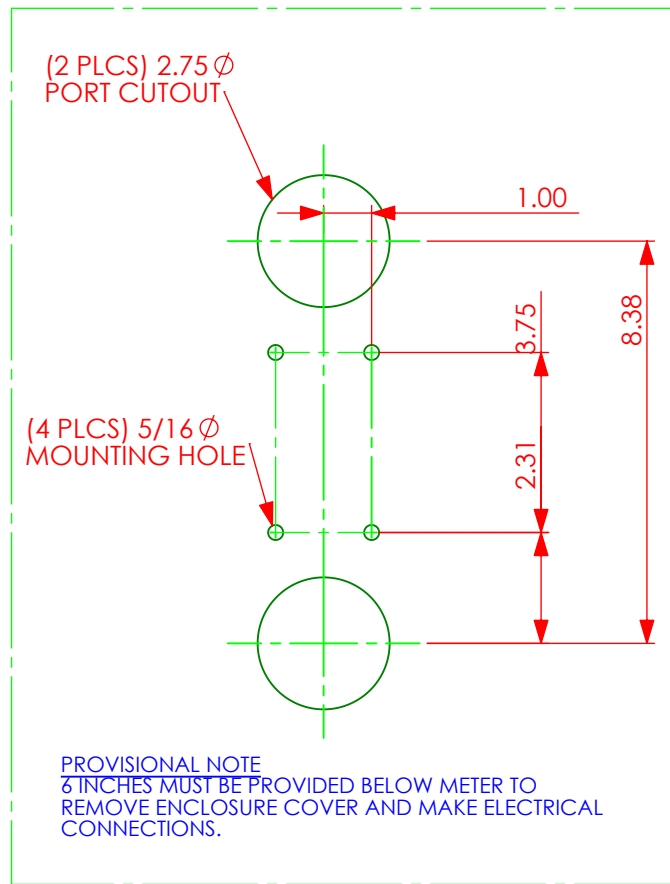
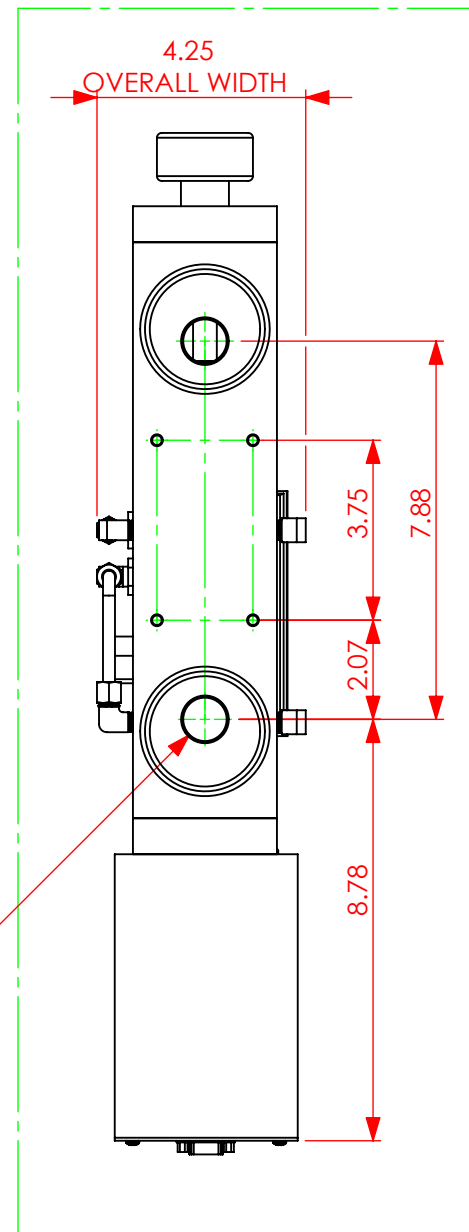


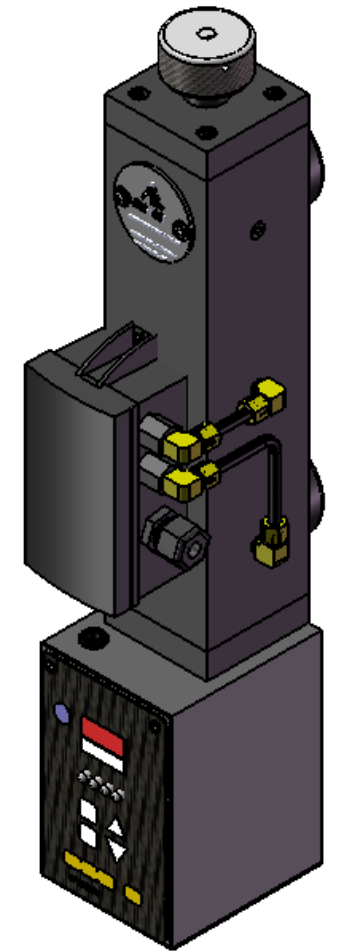
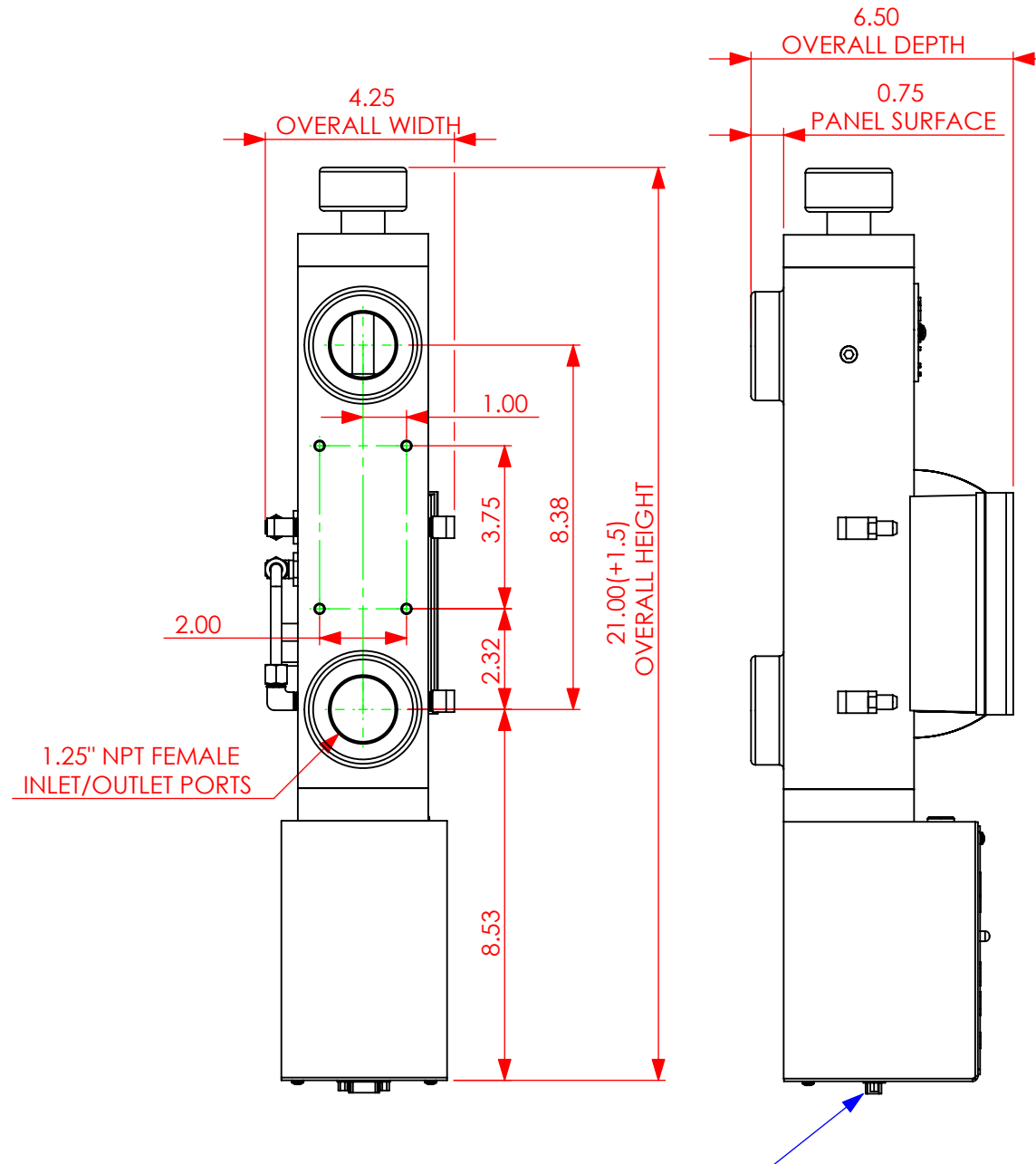
### PANEL CUTOUT PROVISIONS



### 3/4" NPT PORTS



### 1-1/4" NPT PORTS



3/4" NPT FEMALE INLET/OUTLET PORTS

1.25" NPT FEMALE INLET/OUTLET PORTS

DB9 CONNECTOR LOCATION SEE PROVISIONAL NOTE

REV. ID	REVISION	DATE	INITIAL	REV #

DIMENSIONS ARE IN INCHES		NAME	DATE
TOLERANCES:		DRAWN	2/19/10
.XX	±.01	CHECKED	
.XXX	±.005		
.XXXX	±.0005		
MATERIAL	COMMENTS:		
ASSEMBLY			
FINISH			
ASSEMBLY			

SIZE	DWG. NO.	REV.
B	FM-GAS-FLOW-UMV-DIM	0

**PROPRIETARY AND CONFIDENTIAL**  
 THE INFORMATION CONTAINED IN THIS DRAWING IS THE SOLE PROPERTY OF ATMOSPHERE ENGINEERING. ANY REPRODUCTION IN PART OR AS A WHOLE WITHOUT THE WRITTEN PERMISSION OF ATMOSPHERE ENGINEERING IS PROHIBITED.



SCALE:1:4